



Diodes type D61 are of modern design with internal spring loaded contacts, high alumina ceramic insulator and pressure welded encapsulation. Designed for use in power electronic circuits and equipment under normal operating conditions.

KEY PARAMETERS

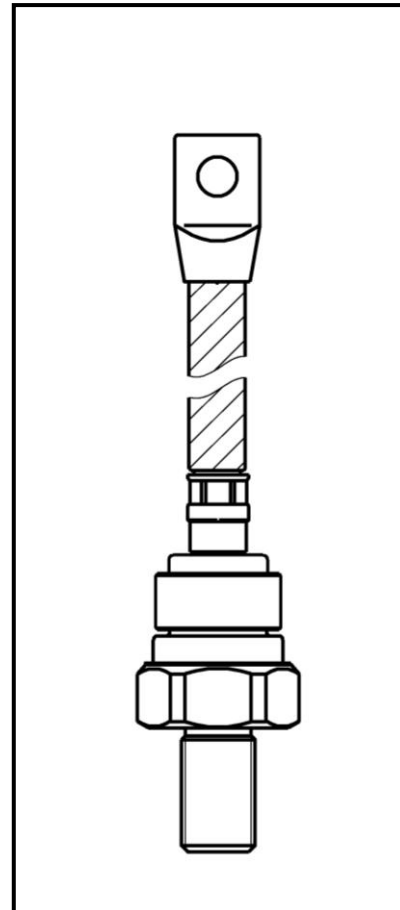
U_{RRM}	up to 2000 V
$I_{F(AV)}$	400 A
I_{FSM}	7000 A

FEATURES

- all diffused design
- high current capabilities
- high surge current capabilities
- high rates voltages
- low thermal impedance
- tested according to IEC standards
- compact size and small weight

APPLICATION

- High Voltage Power Supplies
- Motor Control
- Battery Chargers
- Free Wheeling Diode
- Resistance Welding



See package details for further information

Designed for use in high power industrial and commercial power electronic circuits and equipment where high currents are encountered and high reliability is essential.

D61-400

Diode

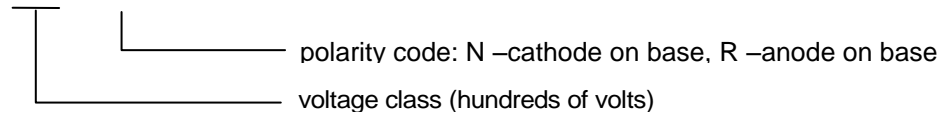


KKD61400, October 2006 version

ORDERING INFORMATION

When ordering please refer to device code builder presented below.
Please use the complete part number when ordering, quote or in any future correspondence relating to your order.

D61-400-□□-□0



ELECTRICAL PARAMETERS

Voltage ratings

Voltage class	U_{RRM}	U_{RSM}	I_{RRM}
	V	V	mA
18	1800	1900	50
20	2000	2100	

Electrical properties

Parameter	Unit	Test conditions	Value
Average forward current @ case temperature	$I_{F(AV)}$	A	400
	T_C	°C	110
RMS forward current	$I_{F(RMS)}$	A	628
Surge forward current	I_{FSM}	A	$T_j=T_{jmax}, U_R=0,8U_{RRM}, t_p=10ms$ 7000
I^2t – value	I^2t	kA^2s	245
On-state voltage max.	U_{FM}	V	$T_j=25^\circ C, I_{FM}=800A$ 1,20
Threshold voltage	$U_{F(T0)}$	V	0,62
Slope resistance	r_F	$m\Omega$	0,563

Zakłady Elektronowe LAMINA S.A.
Puławska 34
PL-05-500 Piaseczno
POLAND

Tel.: +48-22-7572731
Tel.: +48-22-3989409
Fax.: +48-22-3989407
e-mail: sekretariat@lamina.com.pl
www.lamina.com.pl

D61-400

Diode

KKD61400, October 2006 version

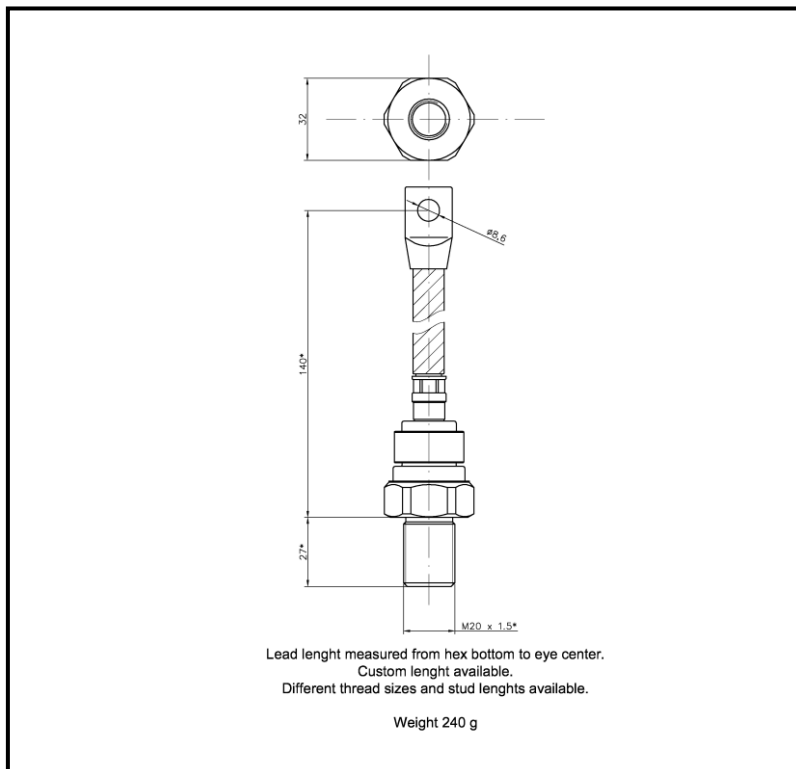
Thermal properties

Parameter		Unit	Test conditions	Value
Thermal resistance, junction to case	R_{thJC}	$^{\circ}C/W$	DC	0,12
Thermal resistance, case to heatsink	R_{thCS}	$^{\circ}C/W$		0,10
Operating junction temperature	$T_{jmin}...T_{jmax}$	$^{\circ}C$		-40...+175
Storage temperature	T_{stg}	$^{\circ}C$		-40...+175

Mechanical properties

Parameter		Unit	Value
Mounting torque	M	Nm	28...32
Weight	m	g	240

Package details



For further package information, please contact Sales & Marketing Department. All dimensions in mm, unless stated otherwise. Do not scale.

Zakłady Elektroniczne LAMINA S.A.
Puławska 34
PL-05-500 Piaseczno
POLAND

Tel.: +48-22-7572731
Tel.: +48-22-3989409
Fax.: +48-22-3989407
e-mail: sekretariat@lamina.com.pl
www.lamina.com.pl

D61-400

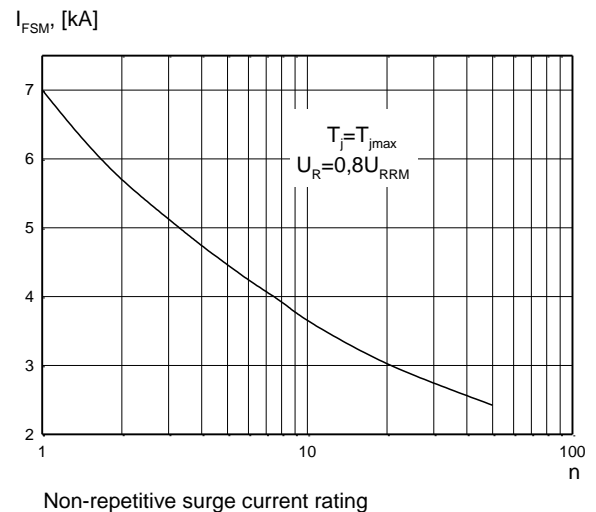
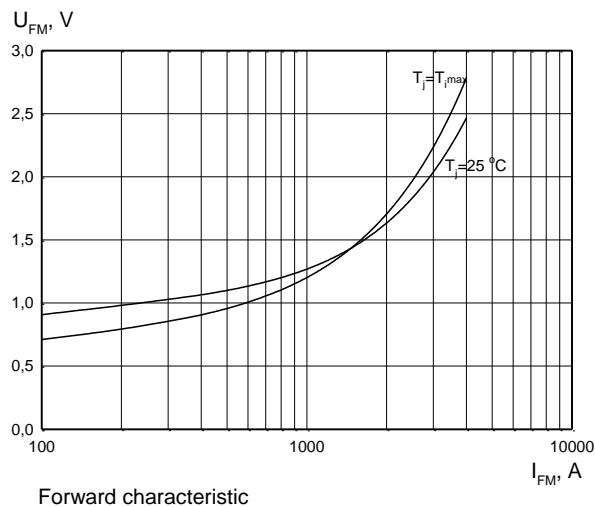
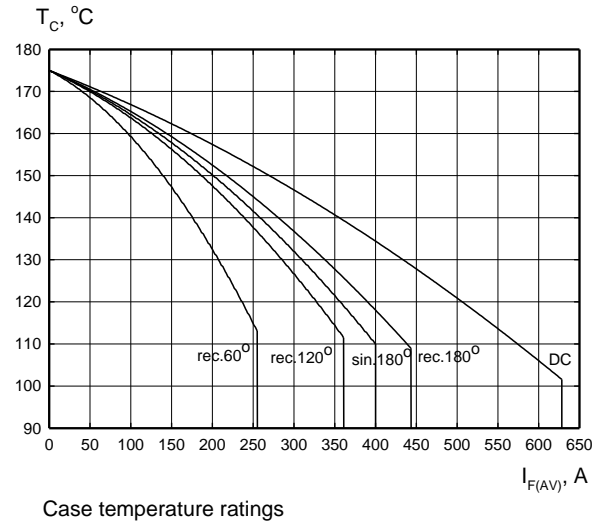
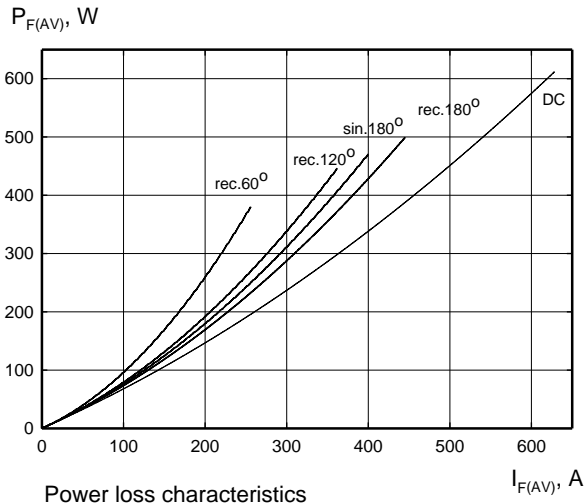
Diode



Zakłady Elektronowe
LAMINA S.A.

KKD61400, October 2006 version

CHARACTERISTICS



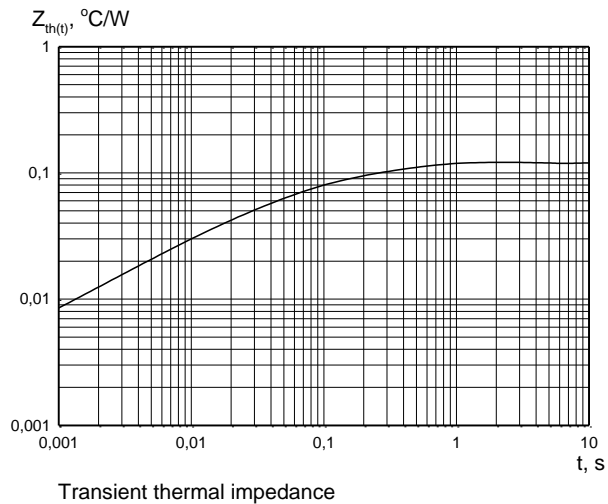
Zakłady Elektronowe LAMINA S.A.
Puławska 34
PL-05-500 Piaseczno
POLAND

Tel.: +48-22-7572731
Tel.: +48-22-3989409
Fax.: +48-22-3989407
e-mail: sekretariat@lamina.com.pl
www.lamina.com.pl

D61-400

Diode

KKD61400, October 2006 version



HEATSINKS

LAMINA S.I. has its own proprietary range of extruded aluminium heatsinks designed to optimise the performance of our semiconductors with natural and forced air flow.

POWER ASSEMBLY CAPABILITY

LAMINA S.I. provides a support for those customers requiring more than a basic semiconductor and offers precisely assembled Power Blocks according to factory or customer standards.