

Diode Module AMDD540N26K



Key Parameters

$I_{F(AV)M}$	=	540	A
V_{RRM}	=	2600	V
I_{FSM}	=	16500	A
V_{T0}	=	0.78	V
r_T	=	0.31	mΩ

Properties

- International standard package
- High operation reliability
- Electrically insulated base plate

MAXIMUM ALLOWABLE RATINGS

Symbols and parameters			Maximum Limits	Unit
V_{RRM}	Repetitive peak reverse voltage	$T_{vj} = -40^{\circ}\text{C} \dots T_{vj \text{ max}}$	2600	V
V_{RSM}	Non-repetitive peak reverse voltage	$T_{vj} = +25^{\circ}\text{C} \dots T_{vj \text{ max}}$	2700	V
I_{FAVM}	Average on-state current	$T_C = 100^{\circ}\text{C}$	540	A
I_{FRMSM}	Maximum RMS on-state current		900	A
I_{FSM}	Surge current	$T_{vj} = 25^{\circ}\text{C}, t_p = 10 \text{ ms}$	16500	A
		$T_{vj} = T_{vj \text{ max}}, t_p = 10 \text{ ms}$	14000	A
I^2t	Safety factor	$T_{vj} = 25^{\circ}\text{C}, t_p = 10 \text{ ms}$	1360000	A ² s
		$T_{vj} = T_{vj \text{ max}}, t_p = 10 \text{ ms}$	980000	A ² s

CHARACTERISTICS

Symbols and parameters			Value			Unit
			min	typ	max	
V_F	On-state voltage	$T_{vj} = T_{vj\ max}, I_F = 1700\ A$			1.48	V
$V_{(TO)}$	Threshold voltage	$T_{vj} = T_{vj\ max}$			0.78	V
r_T	Slope resistance	$T_{vj} = T_{vj\ max}$			0.31	mΩ
I_R	Reverse current	$T_{vj} = T_{vj\ max}, V_R = V_{RRM}$			40	mA
V_{ISOL}	Insulation test voltage	RMS, $f = 50\ Hz, t = 1\ sec$ RMS, $f = 50\ Hz, t = 1\ min$			3.6 3.0	kV

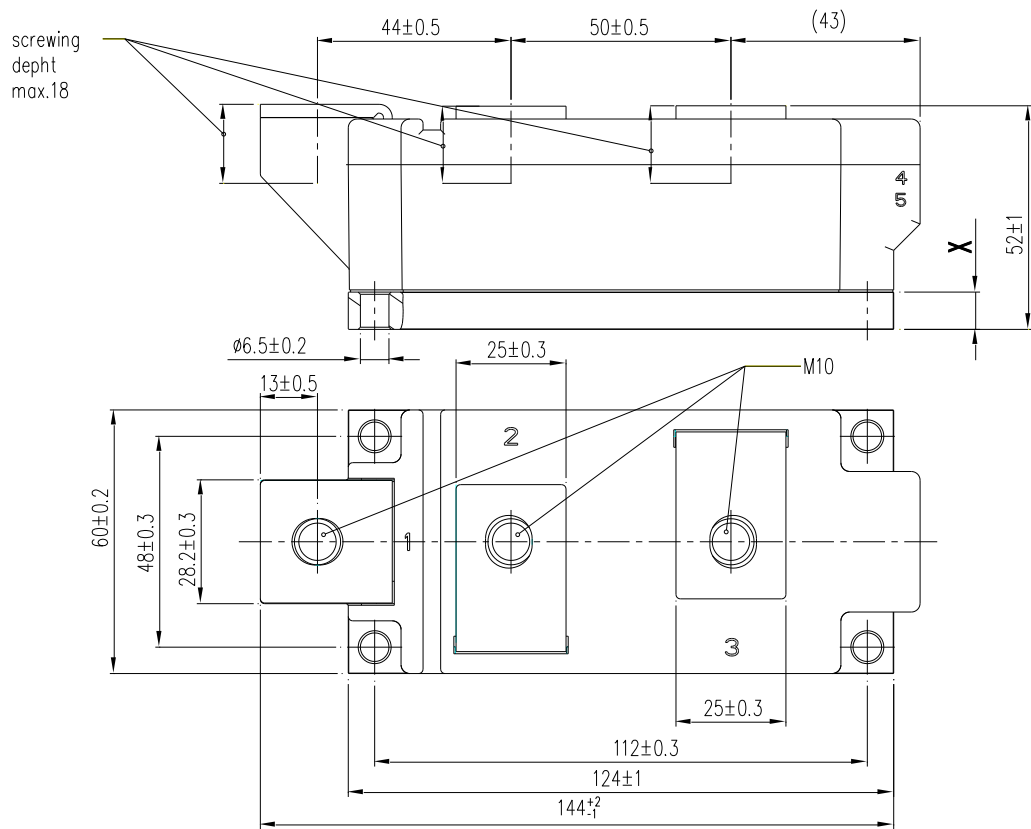
THERMAL PARAMETERS

Symbols and parameters			Value	Unit
$R_{th(j-c)}$	Thermal resistance, junction to case	per Module, $\theta = 180^\circ\ sin$ per arm, $\theta = 180^\circ\ sin$ per Module, DC per arm, DC	0.0390 0.0780 0.0373 0.0745	°C/W
$R_{th(c-h)}$	Thermal resistance, case to heatsink	per Module per arm	0.01 0.02	°C/W
$T_{vj\ max}$	Maximum junction temperature		+150	°C
$T_{C\ op}$	Operating temperature range		-40...+150	°C
T_{stg}	Storage temperature range		-40...+150	°C

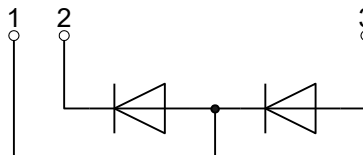
MECHANICAL PARAMETERS

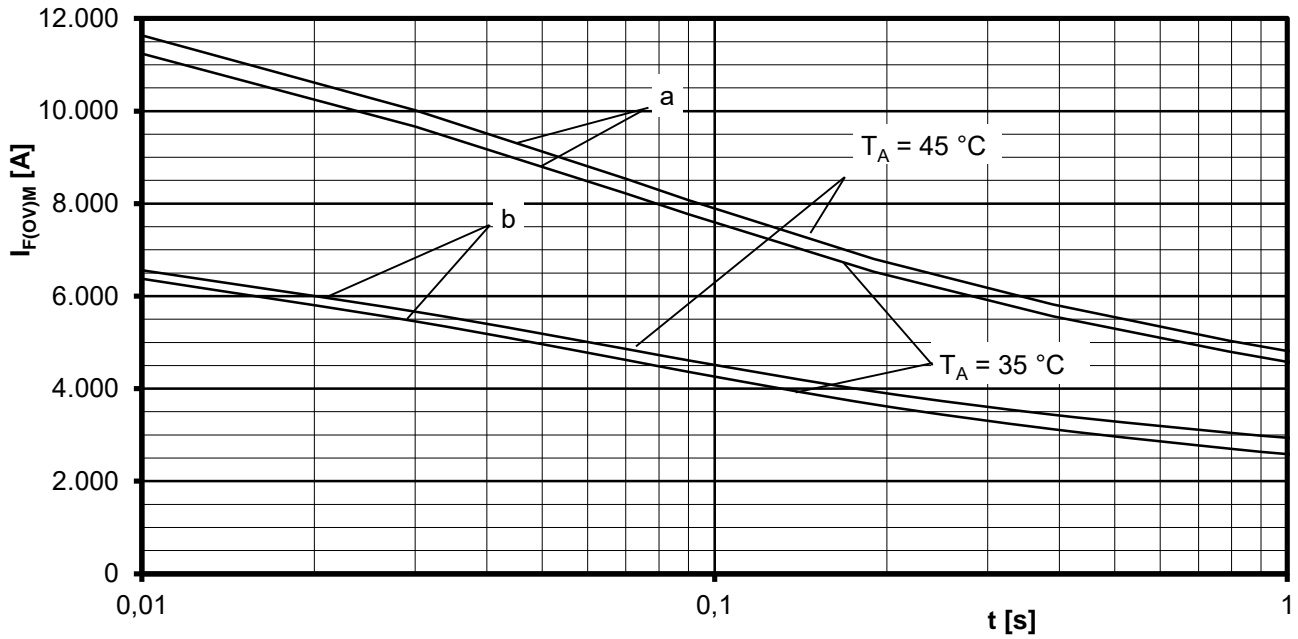
Symbols and parameters			Value	Unit
M1	Mounting torque	Tolerance $\pm 15\%$	6	Nm
M2	Terminal connection torque	Tolerance $\pm 10\%$	12	Nm
W	Weight		1500	g
a	Vibration resistance	$f = 50\ Hz$	50	m/s ²

DIMENSIONS



TOPOLOGY OF INTERNAL CONNECTION





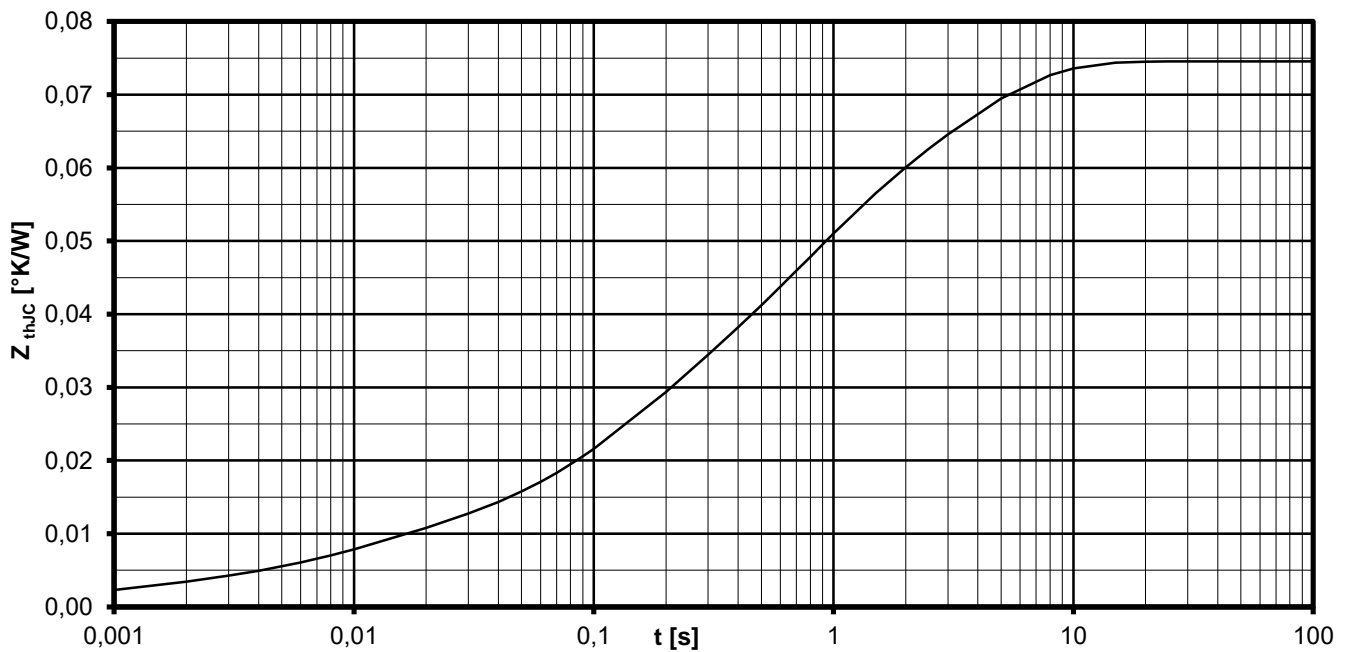
Maximum overload on-state current per arm $I_{F(OV)M} = f(t)$, $v_{RM} = 0,8 V_{RRM}$

a: No-load conditions

b: Pre-load current per arm $I_{FAV(vor)} = I_{FAVM}$

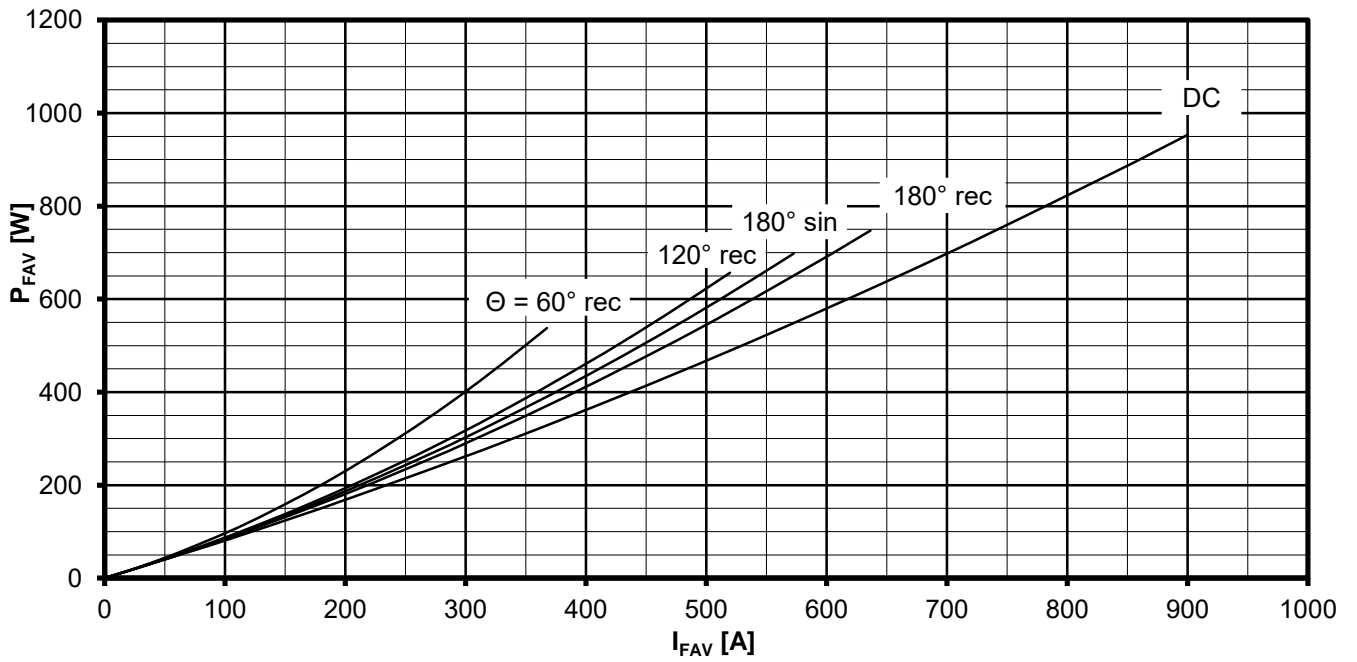
$T_a = 35^\circ\text{C}$, Forced air cooling Heatsink type: KM17 (Papst 4650)

$T_a = 45^\circ\text{C}$, nNatural air cooling Heatsink type: KM17 (160W)



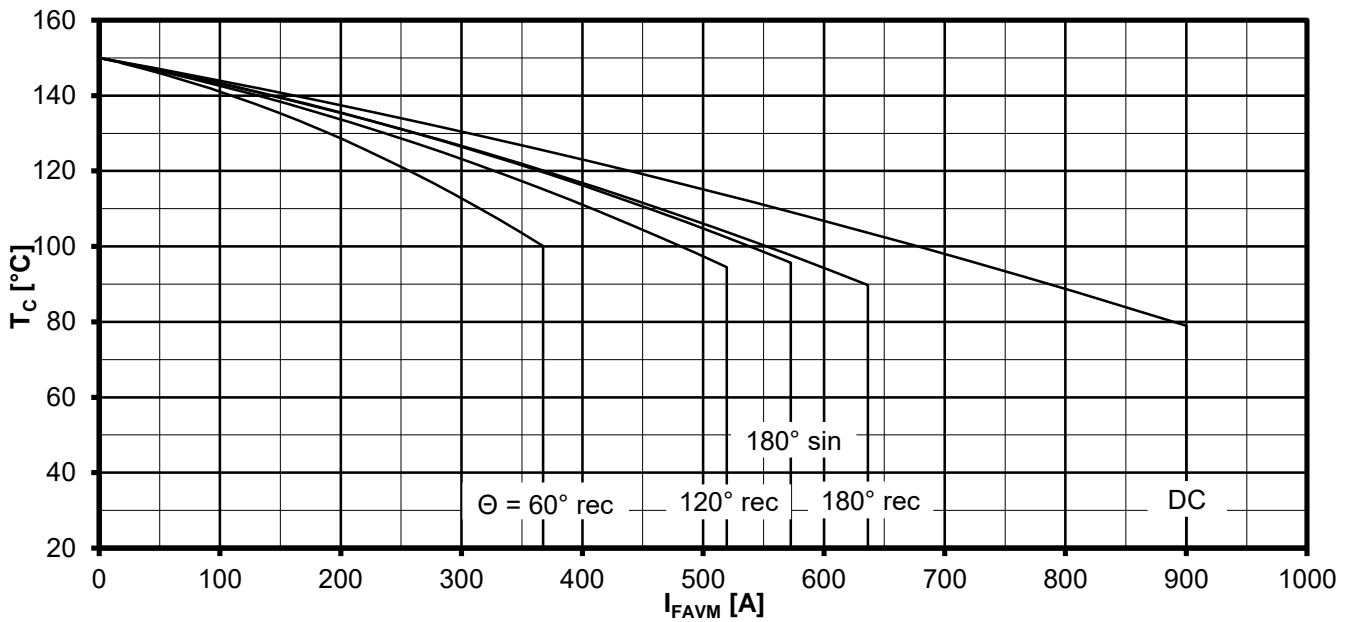
Transient thermal impedance per arm $Z_{thJC} = f(t)$

Parameter: Current conduction angle Θ



On-state power loss per arm $P_{FAV} = f(I_{FAV})$

Parameter: Current conduction angle Θ

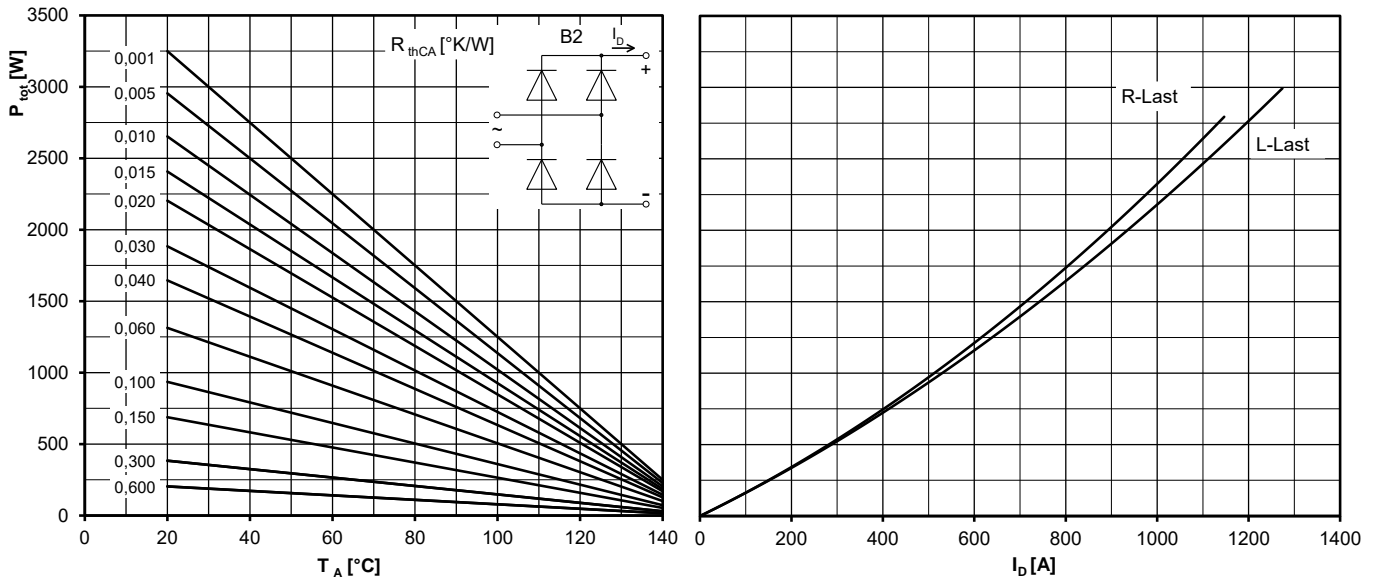


Maximum allowable case temperature $T_C = f(I_{FAVM})$

Current load per arm

Calculation base P_{TAV}

Parameter: Current conduction angle Θ



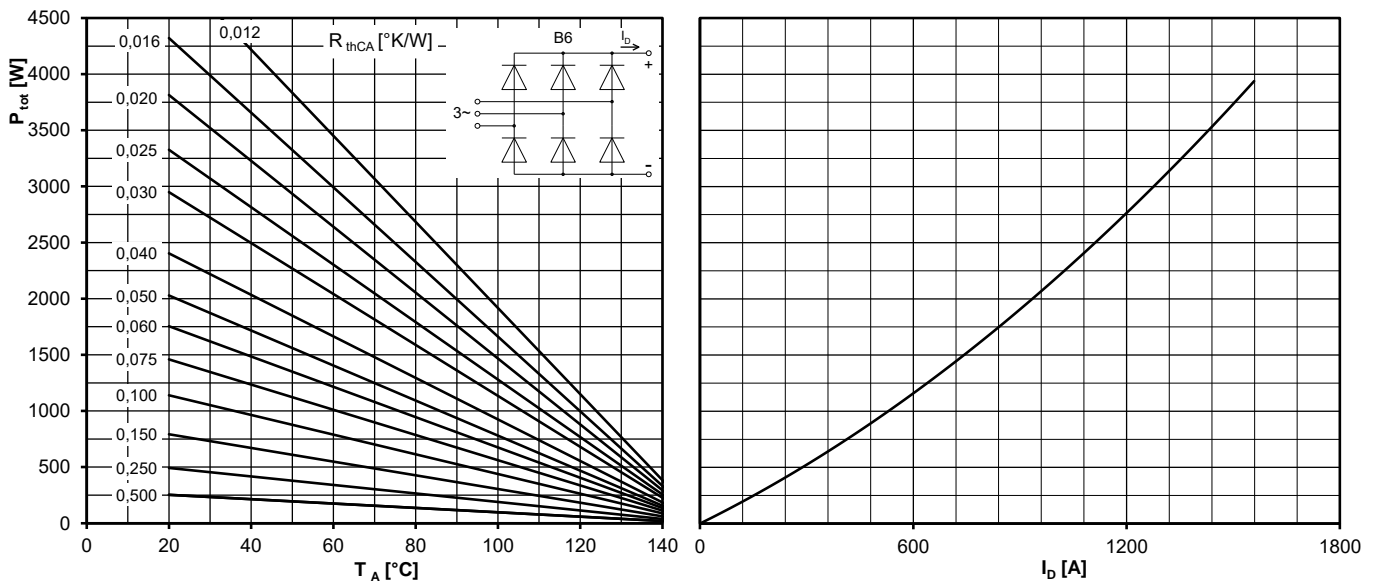
Maximum rated output current I_b

B2- Two-pulse bridge circuit

Total power dissipation at circuit P_{tot}

Parameter:

Thermal resistance cases to ambient R_{thCA}



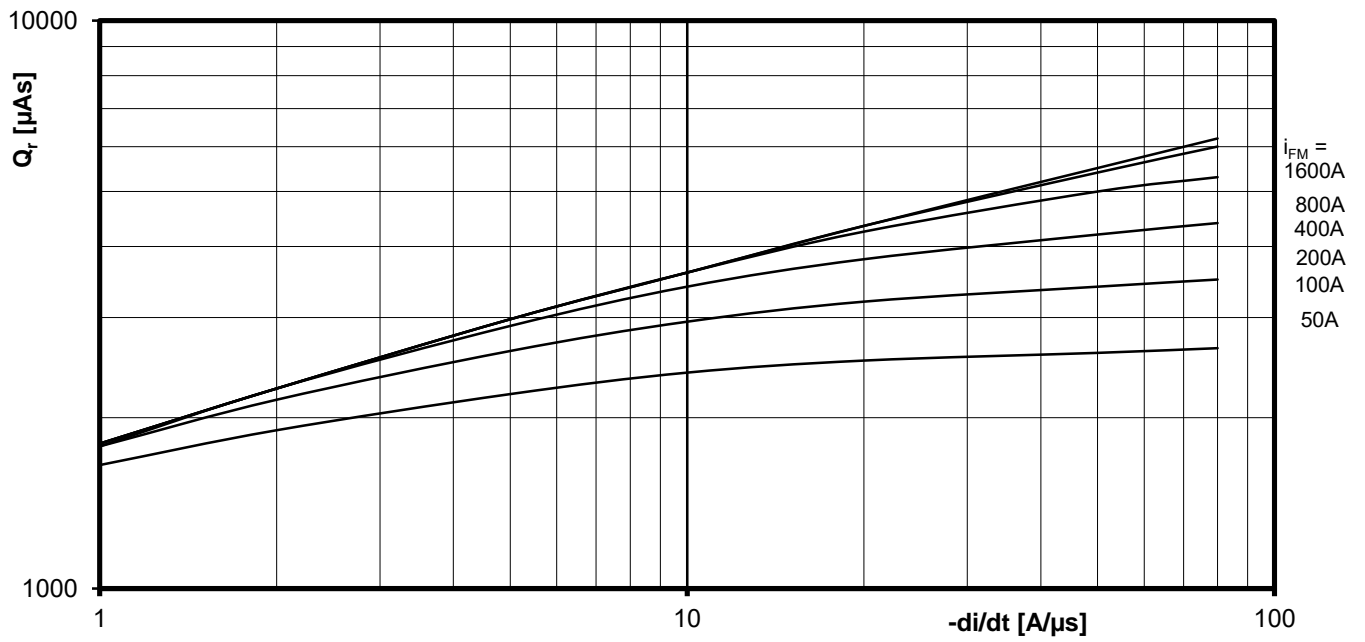
Maximum rated output current I_b

B6- Six-pulse bridge circuit

Total power dissipation at circuit P_{tot}

Parameter:

Thermal resistance cases to ambient R_{thCA}



Recovered charge $Q_r = f(-di/dt)$

$T_{vj} = T_{vjmax}$, $V_R \leq 0,5 V_{RRM}$, $V_{RM} = 0,8 V_{RRM}$

Parameter: On-state current i_{FM}