

# Diode Module

## AMDD340N22S TIM



### Key Parameters

$I_{F(AV)M}$	=	330	A
$V_{RRM}$	=	2200	V
$I_{FSM}$	=	10000	A
$V_{T0}$	=	0.81	V
$r_T$	=	0.3	mΩ

### Properties

- International standard package
- High operation reliability
- Electrically insulated base plate

### MAXIMUM ALLOWABLE RATINGS

Symbols and parameters			Maximum Limits	Unit
$V_{RRM}$	Repetitive peak reverse voltage	$T_{vj} = -40^{\circ}\text{C} \dots T_{vj \text{ max}}$	2200	V
$V_{RSM}$	Non-repetitive peak reverse voltage	$T_{vj} = +25^{\circ}\text{C} \dots T_{vj \text{ max}}$	2300	V
$I_{FAVM}$	Average on-state current	$T_C = 100^{\circ}\text{C}$	330	A
$I_{FRMSM}$	Maximum RMS on-state current		550	A
$I_{FSM}$	Surge current	$T_{vj} = 25^{\circ}\text{C}, t_p = 10 \text{ ms}$	10000	A
		$T_{vj} = T_{vj \text{ max}}, t_p = 10 \text{ ms}$	8500	A
$I^2t$	Safety factor	$T_{vj} = 25^{\circ}\text{C}, t_p = 10 \text{ ms}$	510050	A <sup>2</sup> s
		$T_{vj} = T_{vj \text{ max}}, t_p = 10 \text{ ms}$	385266	A <sup>2</sup> s

## CHARACTERISTICS

Symbols and parameters			Value			Unit
			min	typ	max	
$V_F$	On-state voltage	$T_{vj} = T_{vj\ max}, I_F = 800\ A$			1.31	V
$V_{(TO)}$	Threshold voltage	$T_{vj} = T_{vj\ max}$			0.81	V
$r_T$	Slope resistance	$T_{vj} = T_{vj\ max}$			0.3	mΩ
$I_R$	Reverse current	$T_{vj} = T_{vj\ max}, V_R = V_{RRM}$			1	mA
$V_{ISOL}$	Insulation test voltage	RMS, $f = 50\ Hz, t = 1\ sec$ RMS, $f = 50\ Hz, t = 1\ min$			3.6 3.0	kV

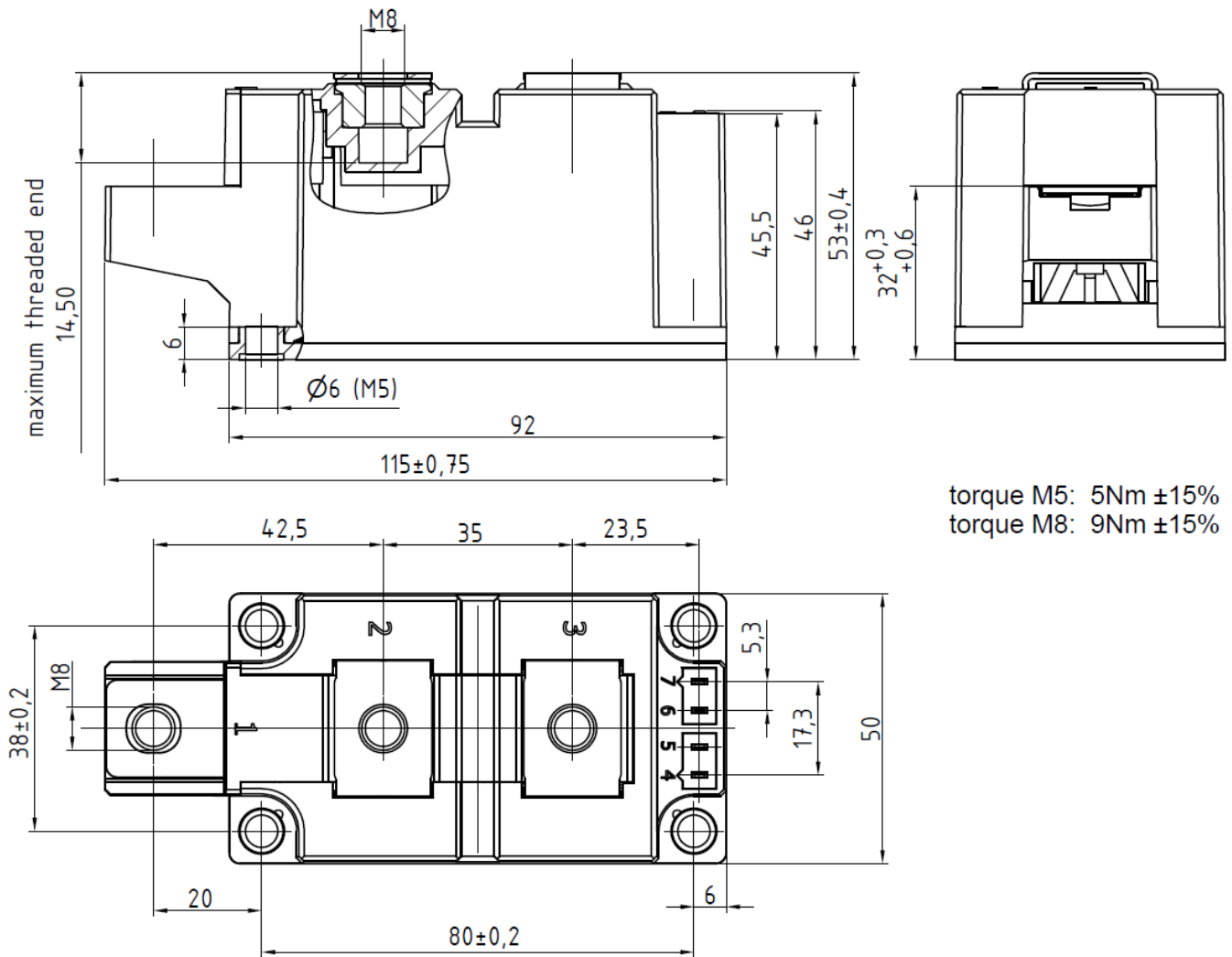
## THERMAL PARAMETERS

Symbols and parameters			Value	Unit
$R_{th(j-c)}$	Thermal resistance, junction to case	per Module, $\theta = 180^\circ\ sin$	0.043	K/W
		per arm, $\theta = 180^\circ\ sin$	0.086	
		per Module, DC	0.038	
		per arm, DC	0.075	
$R_{th(c-h)}$	Thermal resistance, case to heatsink Thermal resistance, case to heatsink with TIM	per Module	0.0275	K/W
		per arm	0.0550	
		per Module	0.0275	
		per arm	0.0550	
$T_{vj\ max}$	Maximum junction temperature		+130	°C
$T_{C\ op}$	Operating temperature range		-40...+130	°C
$T_{stg}$	Storage temperature range		-40...+130	°C

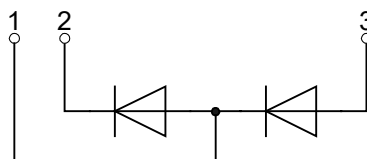
## MECHANICAL PARAMETERS

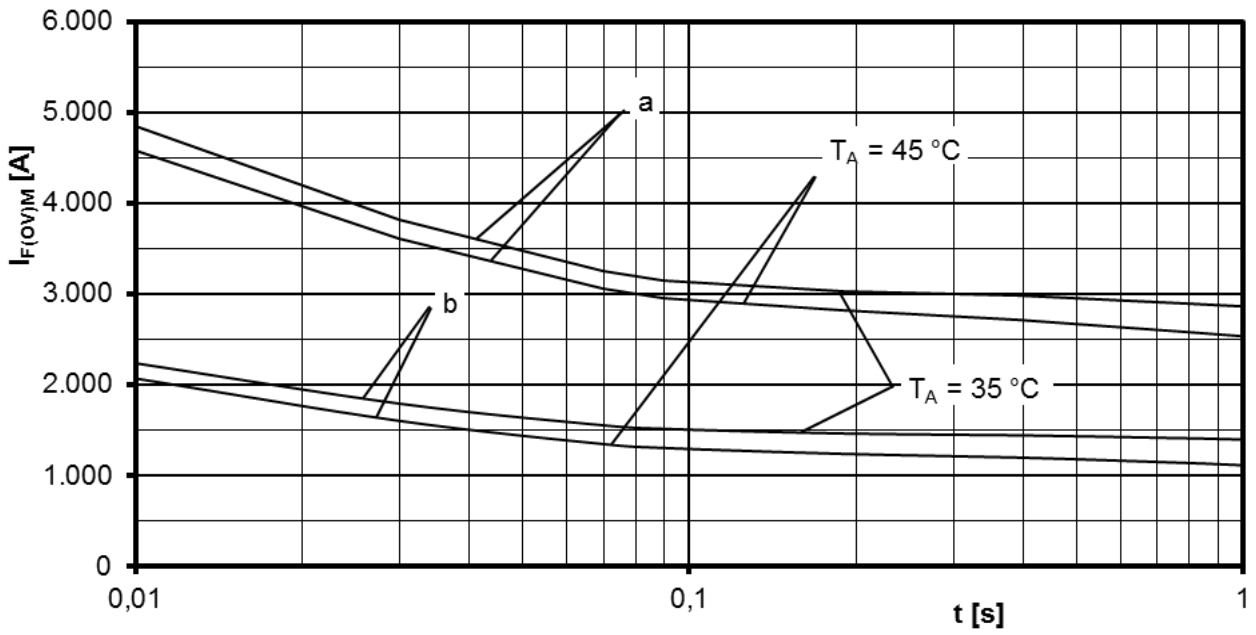
Symbols and parameters			Value	Unit
<b>M1</b>	Mounting torque	Tolerance $\pm 15\%$	5	Nm
<b>M2</b>	Terminal connection torque	Tolerance $\pm 15\%$	9	Nm
<b>W</b>	Weight		370	g
<b>a</b>	Vibration resistance	$f = 50\ Hz$	50	m/s <sup>2</sup>

## DIMENSIONS



## TOPOLOGY OF INTERNAL CONNECTION





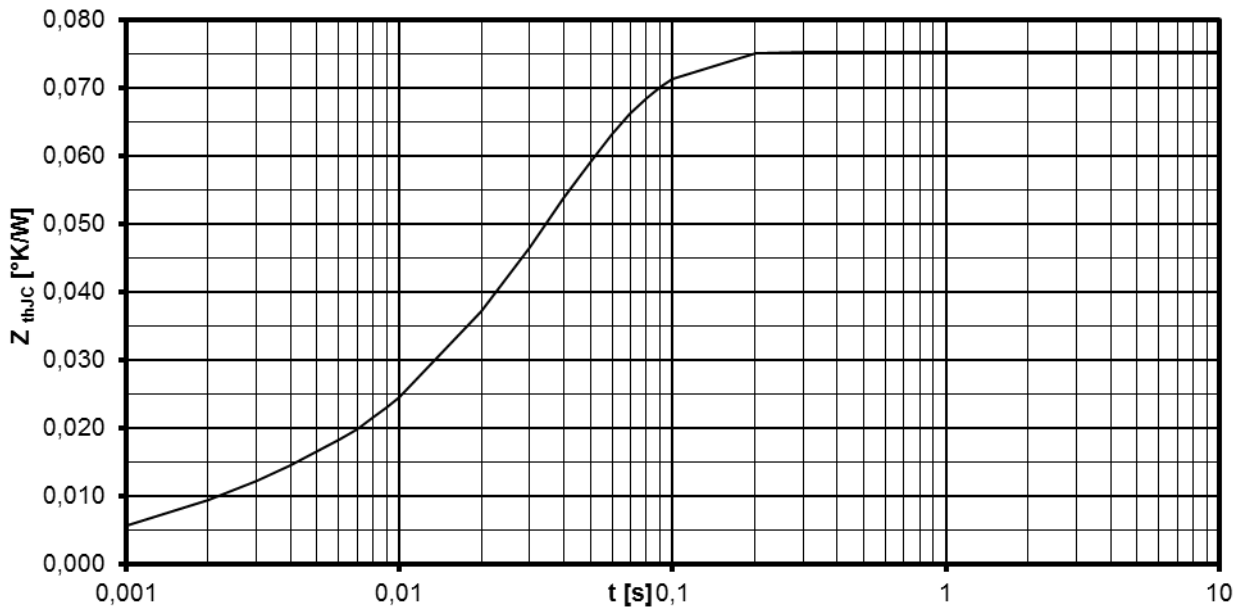
Maximum overload on-state current per arm  $I_{F(OV)M} = f(t)$ ,  $v_{RM} = 0,8 V_{RRM}$

a: No-load conditions

b: Pre-load current per arm  $I_{FAV(vor)} = I_{FAVM}$

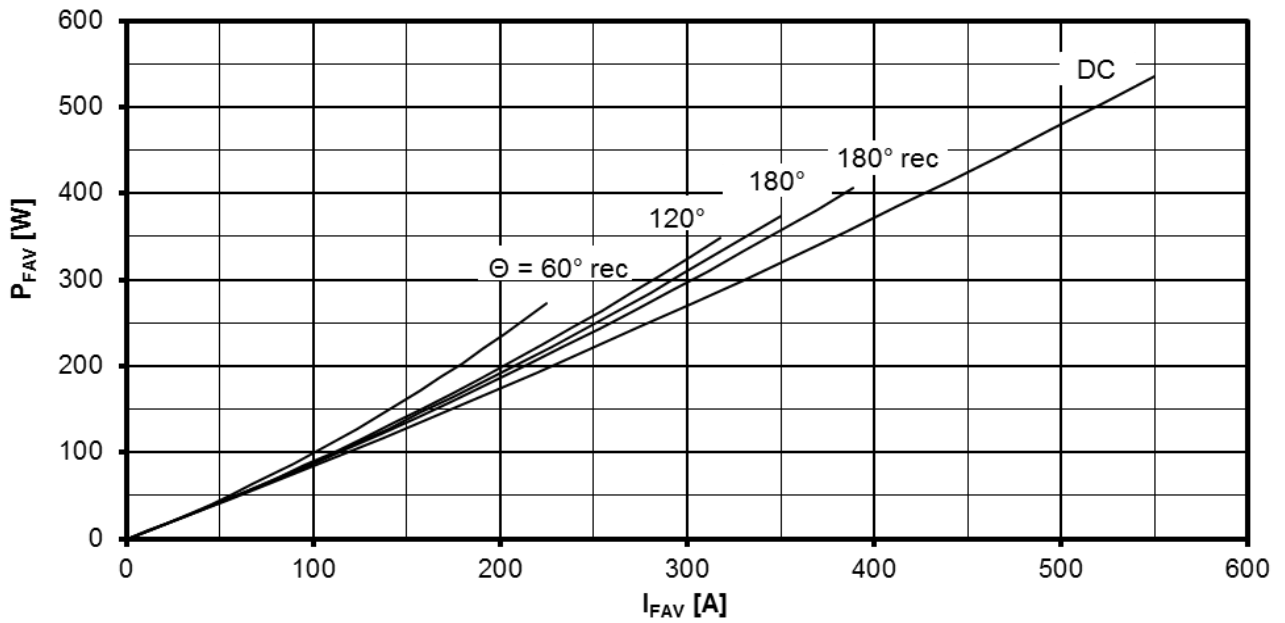
$T_a = 35^\circ\text{C}$ , Forced air cooling    Heatsink type: KM17 (150W)

$T_a = 45^\circ\text{C}$ , Natural air cooling    Heatsink type: KM17 (60W)



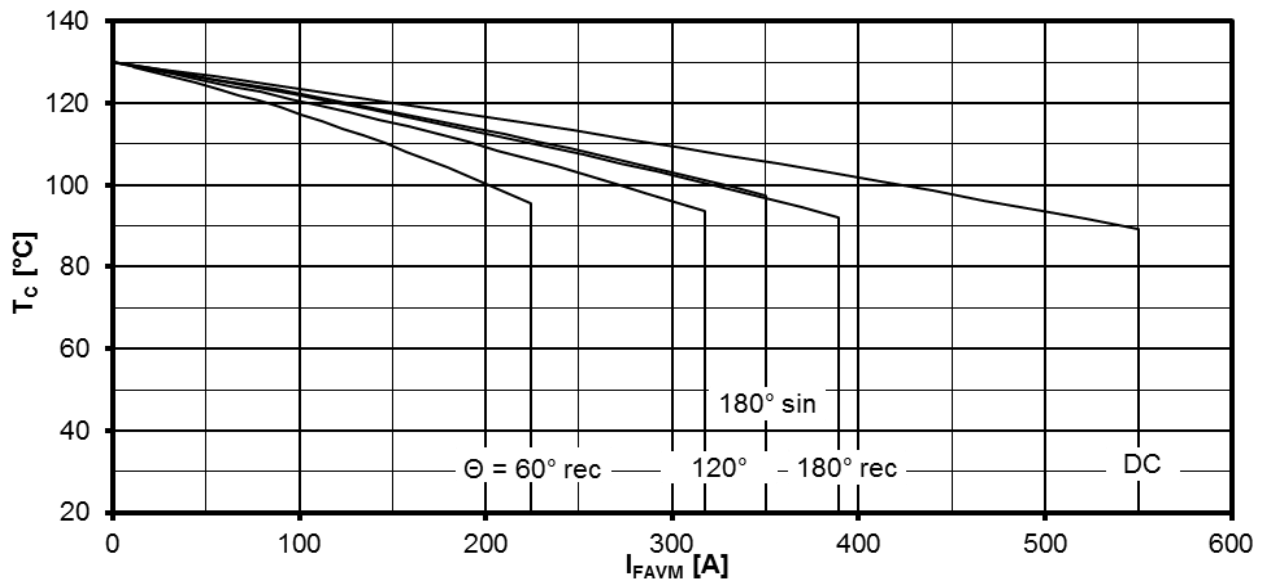
Transient thermal impedance per arm  $Z_{thJC} = f(t)$

Parameter: Current conduction angle  $\Theta$



**On-state power loss per arm  $P_{FAV} = f(I_{FAV})$**

Parameter: Current conduction angle  $\Theta$

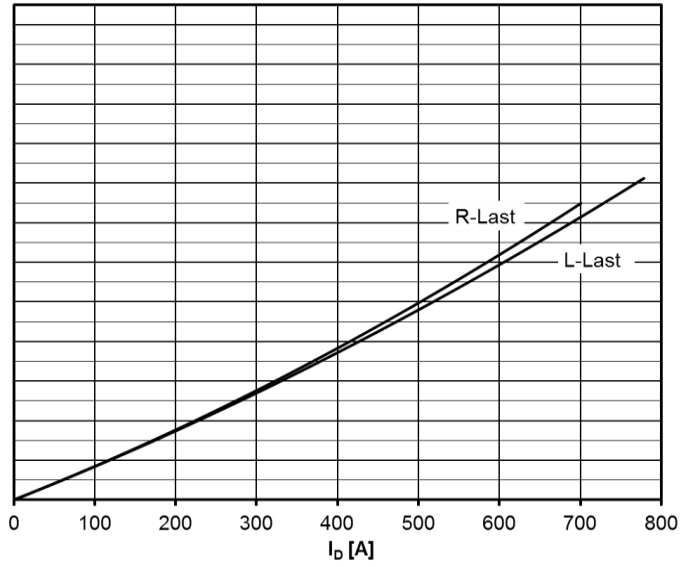
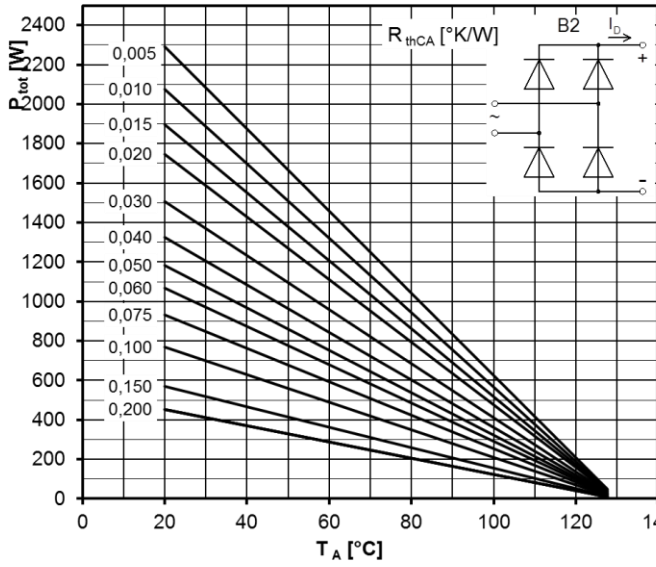


**Maximum allowable case temperature  $T_C = f(I_{FAVM})$**

Current load per arm

Calculation base  $P_{TAV}$

Parameter: Current conduction angle  $\Theta$



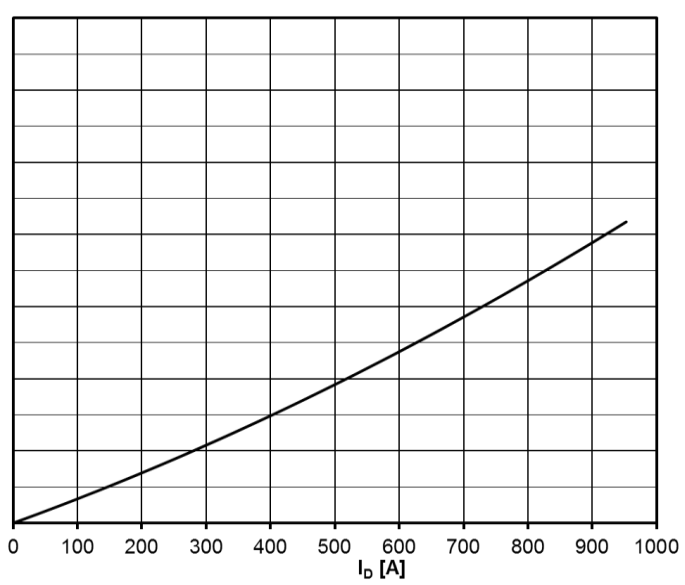
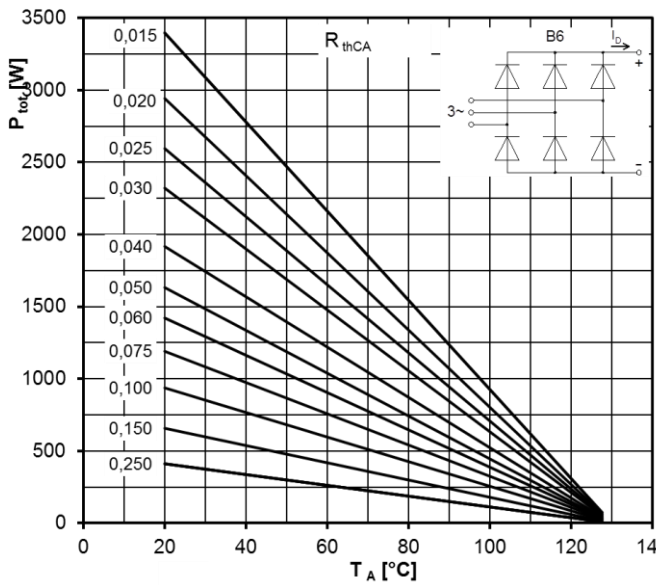
**Maximum rated output current  $I_b$**

B2- Two-pulse bridge circuit

Total power dissipation at circuit  $P_{tot}$

Parameter:

Thermal resistance cases to ambient  $R_{thCA}$



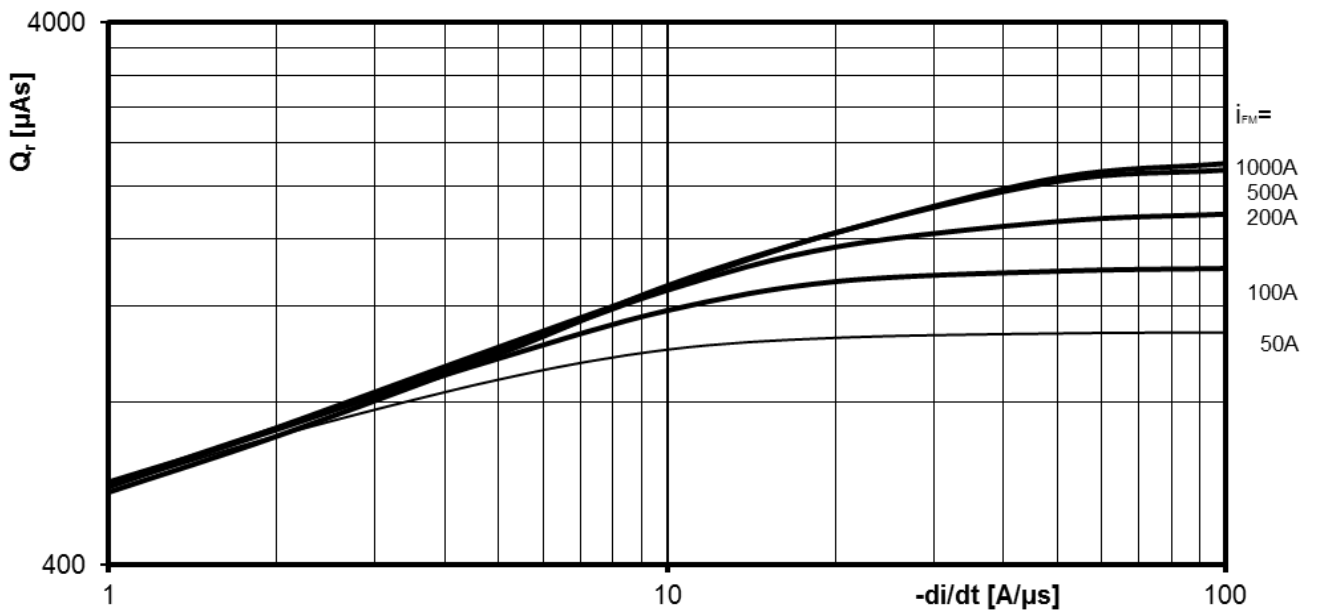
**Maximum rated output current  $I_b$**

B6- Six-pulse bridge circuit

Total power dissipation at circuit  $P_{tot}$

Parameter:

Thermal resistance cases to ambient  $R_{thCA}$



Recovered charge  $Q_r = f(-di/dt)$

$T_{vj} = T_{vjmax}$ ,  $V_R \leq 0,5 V_{RRM}$ ,  $V_{RM} = 0,8 V_{RRM}$

Parameter: On-state current  $i_{FM}$