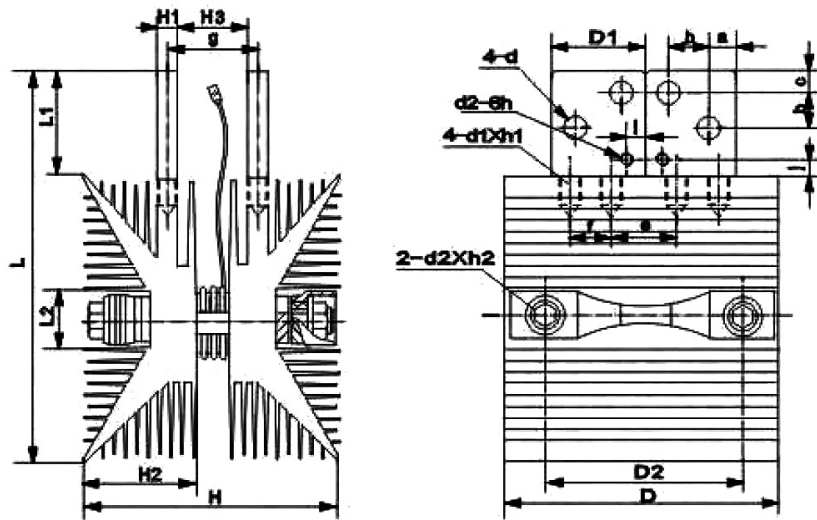




Air-cooling Heatsinks SF15 for Power Semiconductor Devices

Type	Outline Dimensions, mm			Conductor Plate Dimensions, mm		
	L	D	H	L1	D1	H1
SF15	280	140	165	80	60	12

Type	Install Dimensions, mm															
	L2	D2	H2	H3	d	d1xh1	a	b	c	e	f	g	l	j	h	d3
SF15	38	105	75	50	4 holes Ø11	4 screw holes M8- 6H-20	17.5	25	15	40	35	62	8	20	25	M3



Heatsink SF15
forced air-cooling for disc semiconductor devices