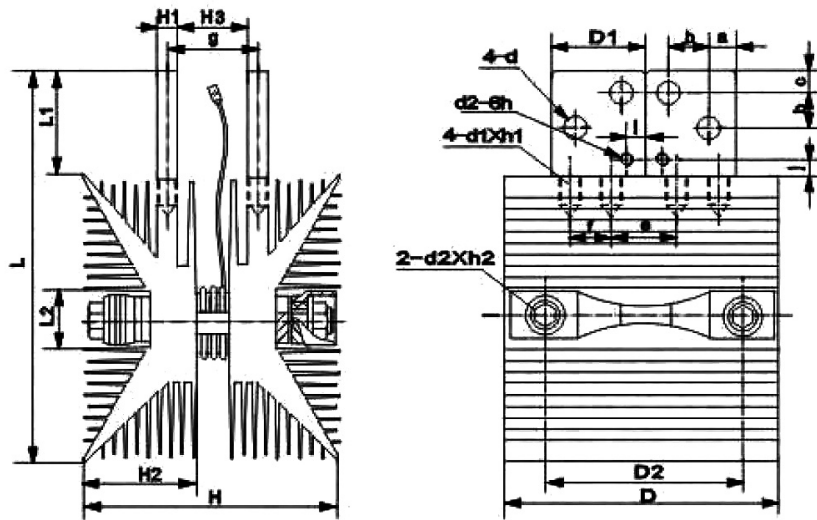




## Air-cooling Heatsinks SF14 for Power Semiconductor Devices

Type	Outline Dimensions, mm			Conductor Plate Dimensions, mm		
	L	D	H	L1	D1	H1
<b>SF14</b>	250	140	145	80	50	10

Type	Install Dimensions, mm															
	L2	D2	H2	H3	d	d1xh1	a	b	c	e	f	g	l	j	h	d3
<b>SF14</b>	38	105	65	45	4 holes Ø11	4 screw holes M6- 6H-20	12.5	25	12.5	40	35	55	8	20	25	M3



**Heatsink SF14**  
forced air-cooling for disc semiconductor devices