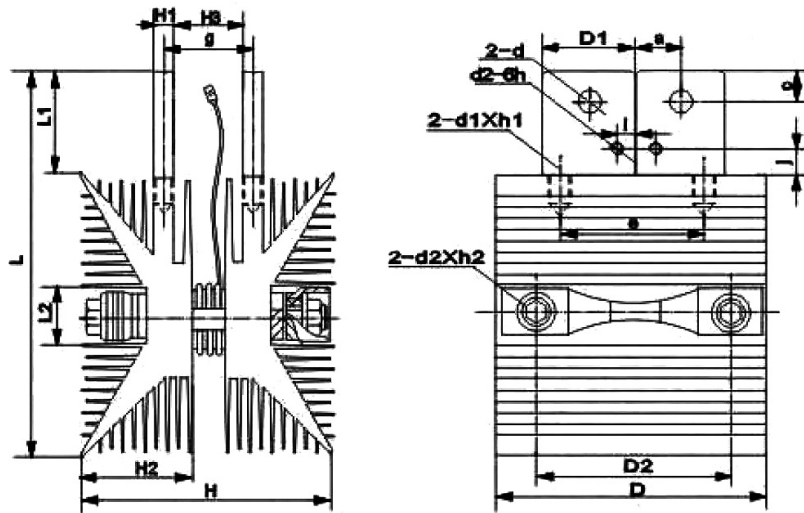


## Air-cooling Heatsinks SF13 for Power Semiconductor Devices

Type	Outline Dimensions, mm			Conductor Plate Dimensions, mm		
	L	D	H	L1	D1	H1
<b>SF13</b>	220	120	130	60	40	8

Type	Install Dimensions, mm															
	L2	D2	H2	H3	d	d1xh1	a	b	c	e	f	g	l	j	h	d3
<b>SF13</b>	33	90	58	45	2 holes Ø13	2 screw holes M6- 6H-20	20	-	20	64	-	53	6	20	-	M3



**Heatsink SF13**  
forced air-cooling for disc semiconductor devices