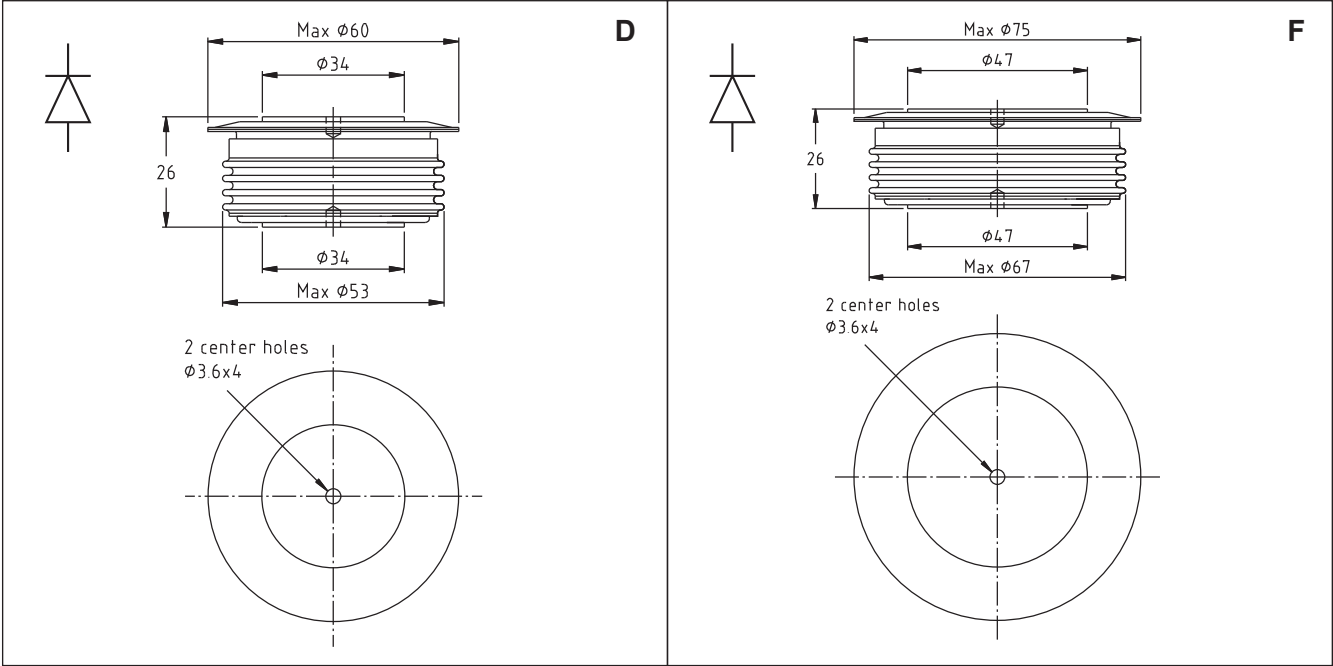


# Avalanche Diodes

## Outlines and dimensions



Dimensions in mm